

The Innovative Leader of Automatic Lubricators

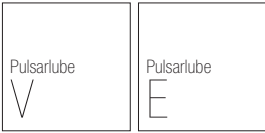






PULSARLUBE

Master Catalogue



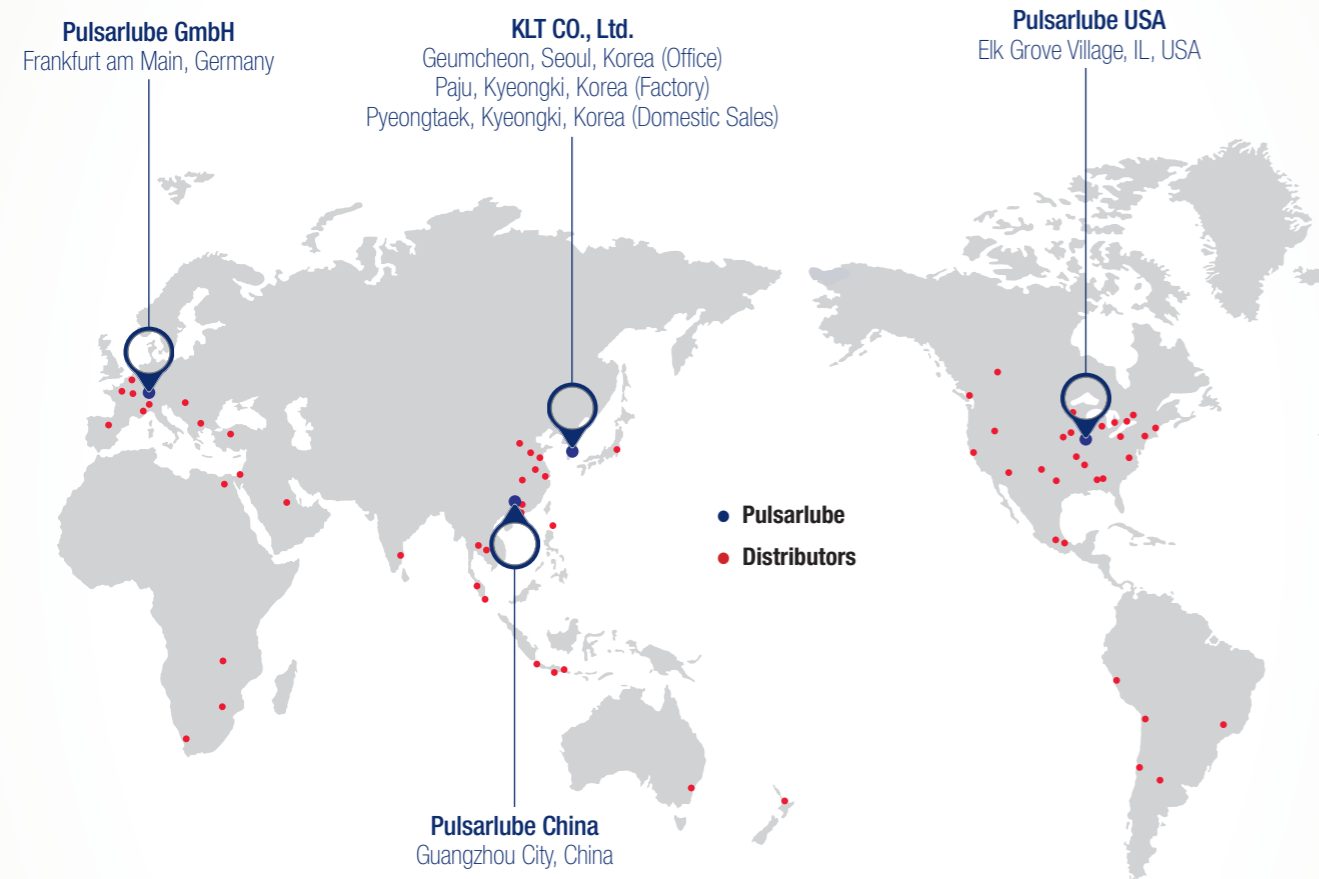


Introduction	02	Company Introduction
	04	Why Pulsarlube?
Applications	06	Pulsarlube at a Glance
	08	Industries & Applications
Products	10	Electrochemical
		
	14	Electromechanical
		
	18	Advanced Features
		
	22	Oiler
		
	24	Spring
		
Installations	26	Pulsarlube Installation Options
Guidelines	30	Pulsarlube Grease Guide
	31	Pulsarlube Application Guide
	32	Pulsarlube Dispensing Recommendations
	33	How to Order

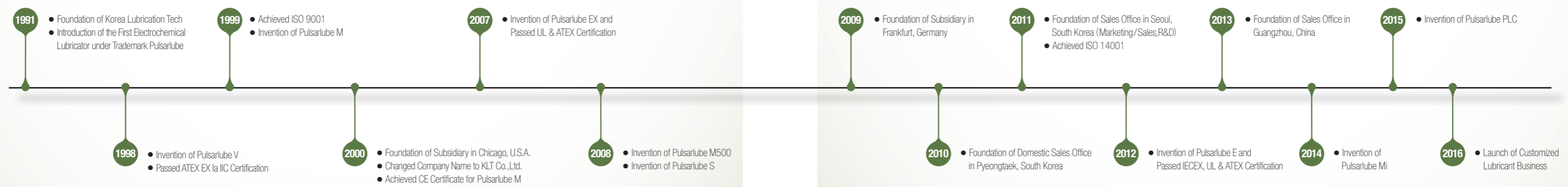
With 25 years of experience in the single point lubrication market,

Pulsarlube currently offers a wide range of high quality lubricators to help ensure the best lubrication practices worldwide. Our **superior engineering** and **excellent customer service** takes us one step closer in meeting customers' every need.

Pulsarlube currently provides high quality products and services through its network of worldwide distributors.

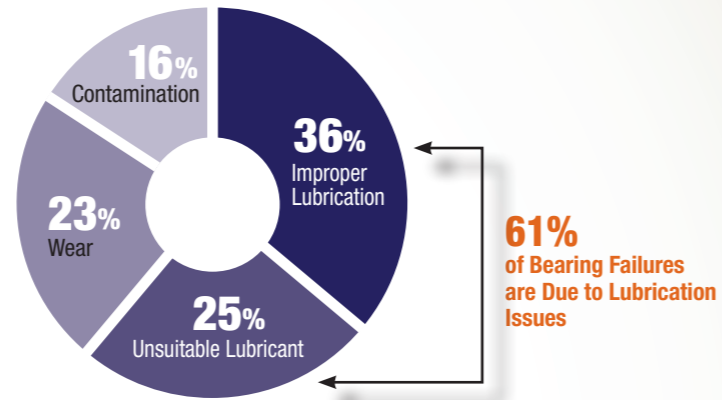


brings the best quality assurance towards customers as well as continuous innovation to our technology for better lubrication solutions.



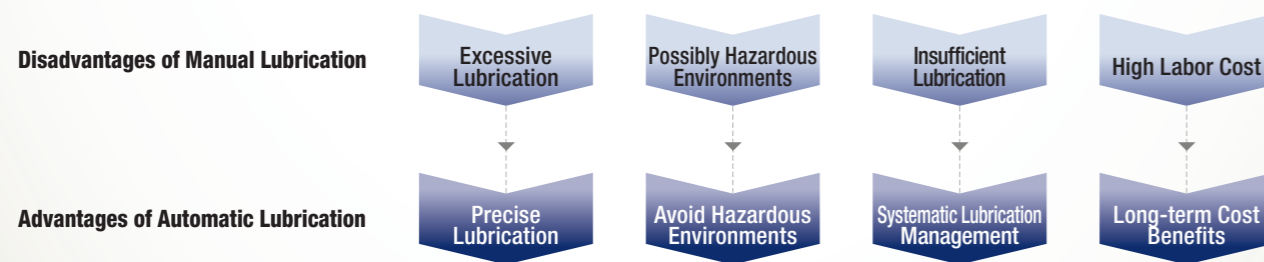
Is Your Equipment Well-Maintained?

Many organizations are aware that excellent lubrication is a crucial step and a good investment to optimize machinery life. However in reality, the lubrication budget is often treated as secondary and often times one of the first budget cuts for management. It can be difficult to find the right way, the right time, and the right amount to lubricate to find the 'best lubrication solution' for your machinery because it takes skill, time, manpower, and money. Pulsarlube offers a variety of lubrication products to resolve all of your lubrication needs.



We Provide The Best Lubrication Solutions For Your Machinery

Accurate automatic lubrication can extend bearing life which will reduce replacement/repair costs and avoid unnecessary downtimes.



Pulsarlube is the most effective solution to lubricate your equipment.

Pulsarlube Automatic Lubricators: A Variety of Lubrication Solutions for Most Applications and Environments

Pulsarlube lubricators offer several benefits over our competitors.



Operating Pressure

High operating pressures enables customers to have a variety of installation methods and options.

10m

Up to 10m (33ft) for single-point remote installations.

8point

Up to 8 points for multi-point lubrication.



Wide Temperature Range

Our technology offers benefits in a wide range of ambient temperatures.

N₂

Inert nitrogen gas is less affected by changes in ambient temperature.

Lithium Battery

Optional lithium battery offers excellent performance in low temperatures.

Pulsarlube offers a variety of solutions that can significantly increase your bottom line.

Experience the Change with Pulsarlube Series.

Pulsarlube **E**

Overview
Gas Type Lubricator

Features
Compact, Economical

Replacement Method
Disposable

Volume Capacity
60/120/240ml



Electrochemical

Pulsarlube **V**

Overview
Gas Type Lubricator

Features
Advanced LCD, Microprocessor
Controlled Gas Generation

Replacement Method
Disposable

Volume Capacity
125/250 ml



Pulsarlube **M**

Overview
Electromechanical Lubricator

Features
High Operating Pressure, Multi-Point Capabilities,
and Low Temp Capabilities

Replacement Method
Service Pack Replacement

Volume Capacity
60/125/250/500ml



Electromechanical

Pulsarlube **EX**

Overview
Electromechanical Lubricator for use in
Hazardous Areas

Features
UL Certified, Remote Installation
Capability, Advanced Diagnostics

Replacement Method
Service Pack Replacement

Volume Capacity
125/250ml



Pulsarlube **MS**

Overview
Machine Synchronized
Electromechanical Lubricator

Features
Prevents Under & Over Lubrication by
Synchronizing Operation to Equipment

Replacement Method
Service Pack Replacement

Volume Capacity
60/125/250/500ml



Electromechanical

Pulsarlube **MSP**

Overview
Machine Synchronized Externally Powered
Electromechanical Lubricator

Features
Synchronizes to Equipment, Battery Replacement
Not Required for Extended Time

Replacement Method
Service Pack Replacement

Volume Capacity
60/125/250/500ml



Pulsarlube **PLC**

Overview
Electromechanical Lubricator that
Integrates with a PLC

Features
Manage Dispensing Rates through PLC,
Signal Out to External Alarm for Warning / Error Messages

Replacement Method
Service Pack Replacement

Volume Capacity
60/120/240/480ml



with Advanced Features

Pulsarlube **Mi**

Overview
Synchronized Electromechanical
Lubricator with a Vibration Sensor

Features
Synchronizes to Equipment without Electrical Wiring,
Advanced Vibration Sensor

Replacement Method
Service Pack Replacement

Volume Capacity
60/125ml



Pulsarlube **OL500**

Overview
Electromechanical Oiler

Features
Refillable, Compatible with a Wide Range
of Oil Viscosity, Multi-Point Capability

Replacement Method
Refillable

Volume Capacity
500ml



Oiler

Pulsarlube **EO**

Overview
Gas Type Oiler

Features
Compact, Economical

Replacement Method
Disposable

Volume Capacity
60/120/240ml



Pulsarlube **S**

Overview
Spring Type Lubricator

Features
Refillable, Unique Design Reduces
Effects of Oil Separation

Replacement Method
Refillable

Volume Capacity
100ml



Spring



Automotive

Chains
Lifts
Electric Motors
Conveyors
Loaders
HVAC Systems



Steel

Loaders
Coveyors
Electric Motors
Blowers
Fans
Pumps



Cement

Conveyors
Electric Motors
Blowers
Fans
Pumps



Mining

Mobile Equipment
Conveyors
Electric Motors
Pumps
Crushers



Pulp & Paper

Conveyors
Electric Motors
Blowers
Pumps
Paper Machines



Petrochemical

Electric Motors
Blowers
Pumps
Air Compressors



Thermal Power Plant

Water Pumps
Electric Motors
Conveyors
Boilers
Heaters



Nuclear Power Plant

Water Pumps
Electric Motors
Conveyors
Boilers
Air Handling Units



Semiconductor

Air Handling Units
Clean Rooms
Cooling Towers
SMD PCB Lines
LCD Panels
Loader Robots
Wet Scrubbers



Marine

Mooring Winch
Doors
Cranes
Pumps
Electric Motors



Safety is a top priority.

Pulsarlube electrochemical lubricators generate inert nitrogen gas which is **safer** to use compared to hydrogen gas type lubricators.

Advanced Performance & Smart Operation Pulsarlube V

The Pulsarlube V is an easy-to-program gas type lubricator which offers an informative LCD display.

Features & Benefits



Variable dispensing settings with a large informative LCD display



Easy to reprogram at any time with a press of a button



8-bit microprocessor controlled to ensure the most accurate dispensing rate



Certified CE, ATEX, UL for use in hazardous areas



Specifications

Grease Capacity
125ml/250ml (disposable)

Operating Method
Electrochemical reaction (Nitrogen gas)

Operating Pressure
Max. 5kgf/cm² (70psi)

Dispensing Periods
1, 2, 3, 6, 12 month & Purge (P)

Operating Temperature
-20°C - 55°C (-4°F - 131°F)

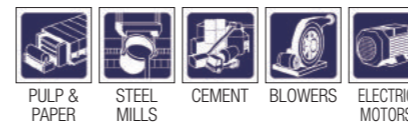
Remote Installation
Max. 1m (3ft) with Ø8mm tube

Multi-Point Installation
Not Applicable

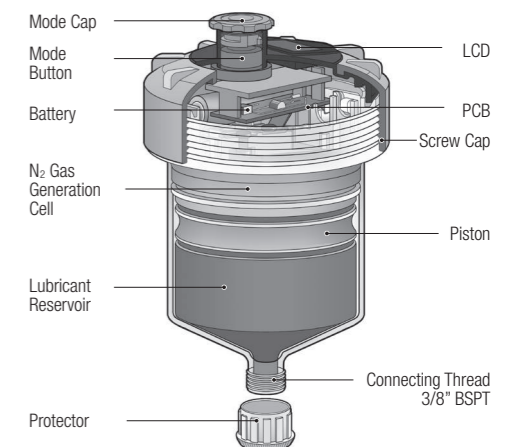
IP Code
IP68

Certifications
IECEX, ATEX, KCs, UL, CE

Applications



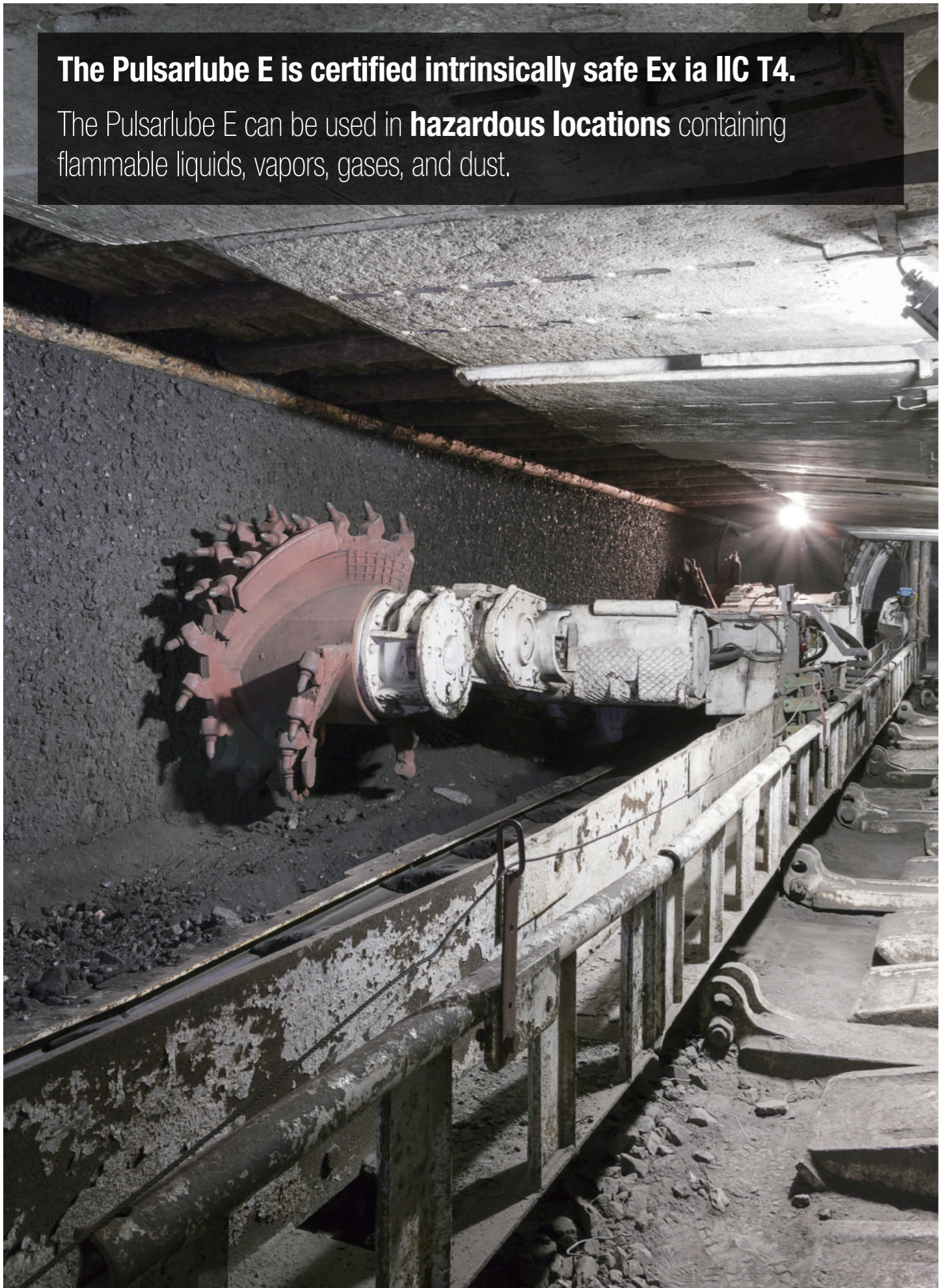
Cross Section



Product Dimension
V125 : Ø97mm (3.83") x 125mm (4.92") (H)
V250 : Ø97mm (3.83") x 163mm (6.42") (H)

The Pulsarlube E is certified intrinsically safe Ex ia IIC T4.

The Pulsarlube E can be used in **hazardous locations** containing flammable liquids, vapors, gases, and dust.



Compact & Economical Pulsarlube E

The Pulsarlube E is our smallest lubricator which can easily be installed in confined areas with limited space. This eco-friendly product is recyclable.

Features & Benefits



Compact 60ml design is convenient for use in very confined spaces



Specially designed to endure high vibration



Transparent container and cap for easy visual inspection of remaining lubricant and dispensing periods



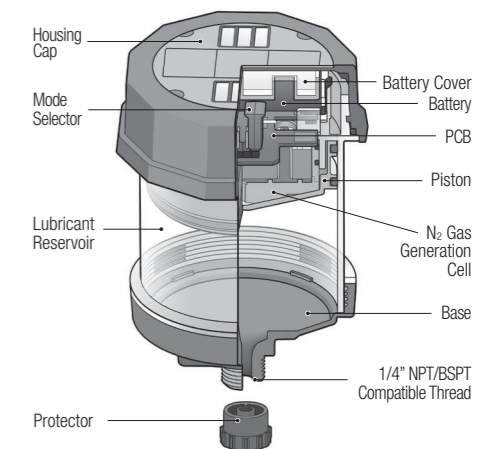
Eco-friendly product where applicable parts can be disposed of separately



Specifications

<p>Grease Capacity 60ml / 120ml / 240ml (disposable)</p> <p>Operating Method Electrochemical reaction (Nitrogen gas)</p> <p>Operating Pressure Max. 5kgf/cm² (70psi)</p>	<p>Dispensing Periods 1, 3, 6, 9, 12 month</p> <p>Operating Temperature -20°C ~ 55°C (-4°F ~ 131°F)</p> <p>Remote Installation Max. 1m (3ft) with Ø8mm tube</p>	<p>Multi-Point Installation Not Applicable</p> <p>IP Code IP68</p> <p>Certifications IECEX, ATEX, KCs, UL, CE</p>
--	--	--

Cross Section



Product Dimension
E60 : Ø77mm (3.03") x 91mm (3.58") (H)
E120 : Ø77mm (3.03") x 111mm (4.37") (H)
E240 : Ø77mm (3.03") x 156mm (6.14") (H)

Applications



Unrivaled Power & Long-Term Reliability

Pulsarlube M

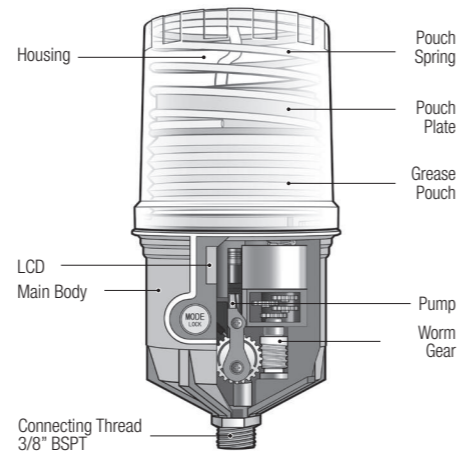
The Pulsarlube M consists of a vertical feed pump and a microprocessor chip allowing an average operating pressure of 30kgf/cm²(425psi). It is designed to ensure reliable lubrication and at the same time reduce lubrication expenses with cost-saving Service Packs.



Specifications

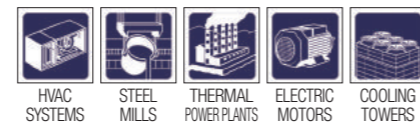
Grease Pouch Capacity 60ml/125ml/250ml/500ml (replaceable)	Remote Installation Max. 10m (33ft) with Ø6mm tube
Power Supply DC 4.5V Battery Pack	Multi-Point Installation Max. 6m (20ft) with Ø6mm tube (Max. 8 lube points)
Operating Pressure 30~60kgf/cm ² (425psi~850psi)	IP Code IP54
Operating Temperature Standard Alkaline Battery : -15°C~60°C (5°F~140°F) Optional Lithium Battery : -40°C~60°C (-40°F~140°F)	Certifications UL, CE
Dispensing Periods	
60ml : 1, 2, 3, ..., 10, 11, 12 month	
125ml/250ml : 1, 2, 3, 6, 12 month & H (15 days)	
500ml : 1, 2, 4, 6, 12, 18, 24 month & H (15 days)	

Cross Section



Product Dimension
M60, M125 : Ø91mm (3.60") x 181mm (7.13") (H)
M250 : Ø91mm (3.60") x 210mm (8.27") (H)
M500 : Ø92mm (3.62") x 260mm (10.23") (H)

Applications



Features & Benefits

30kgf/cm²	Up to 8 lube points for multi-point / Max. 10m (33ft) for single point
-40°C	Optional Lithium Battery Pack available for low temperature usage
LCD	Easy to program with built-in LCD and simple button controls
Service Pack	Substantial savings from the use of replaceable grease pouches and battery packs (Service Pack)

Service Packs

What is a Service Pack?

Service Packs are replacement kits for Pulsarlube electromechanical lubricators

Replacement Instruction

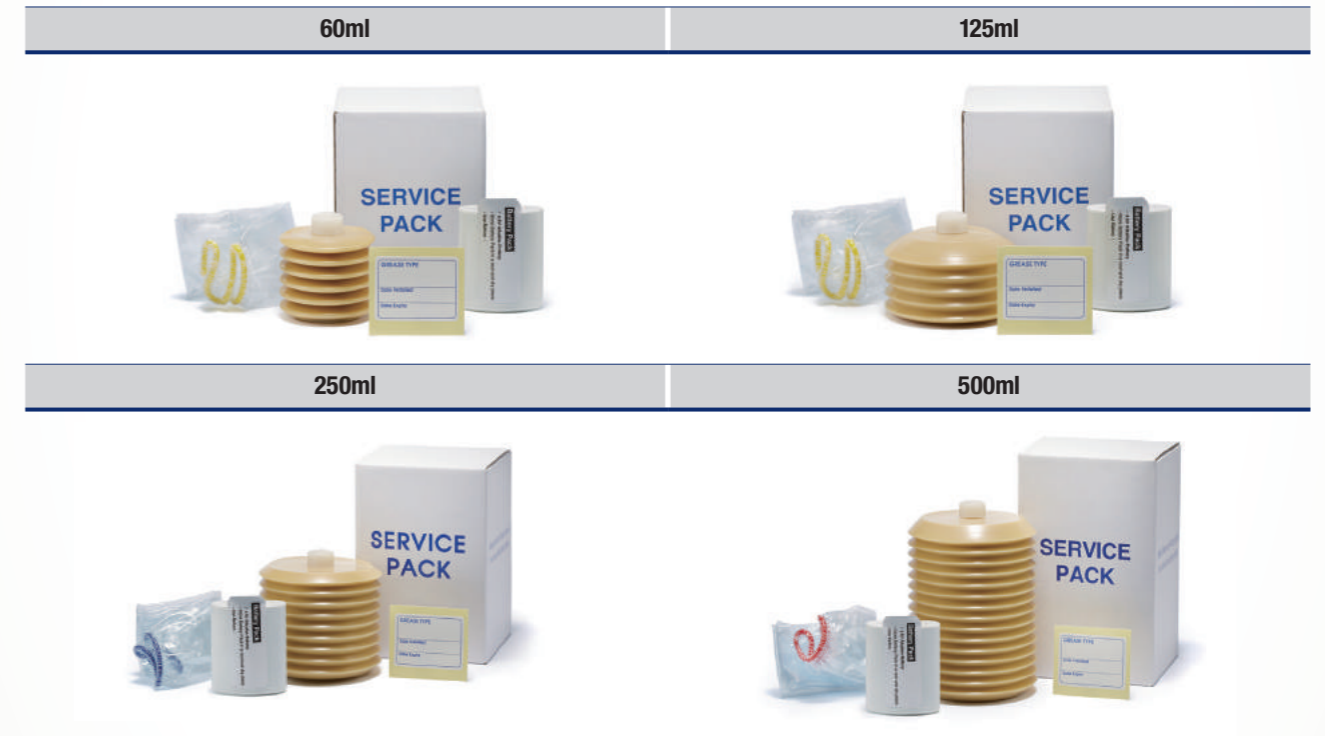
The Service Pack must be replaced when monthly cycle is finished.

Service Pack includes :

- A** Grease Pouch : 60ml, 125ml, 250ml, 500ml
- B** Battery Pack : 1) Standard Alkaline Battery DC 4.5V
2) Optional Lithium Battery DC 4.5V
- C** Dust Cover for damp or dusty conditions (disposable)



Service Pack Sizes (Grease Pouch Capacity)



* The battery and grease pouch must be replaced together when replacing a service pack. Do not reuse the battery pack.

Battery Pack Selection Guideline

Applications	Alkaline Battery Pack (Standard)	Lithium Battery Pack (Optional)
Direct mount	✓	✓
Single point installation within 6m (20ft)	✓	✓
Remote installation more than 6m (20ft) less than 10m (33ft)	X	✓
Back pressure less than 30kg/cm ²	✓	✓
Operating Temperature Range : -15°C~60°C (5°F~140°F)	✓	✓
Operating Temperature Range : -40°C~60°C (-40°F~140°F)	X	✓
500ml Grease Pouch	X	✓

Explosion-Proof Electromechanical lubricator specifically designed for hazardous areas where **Class I, Division II, Group C & D** certification is required.

Specifically Designed for Hazardous Areas Pulsarlube EX

The Pulsarlube EX is a Class I, Division 2, Group C & D certified, battery operated, powerful lubricator that is engineered to reliably lubricate your equipment in hazardous areas.

Features & Benefits



Easy to program with built-in LCD and simple button controls



Specifically designed for places where Class I, Division II, Group C & D certification is required



Auto Lock Out mode to prevent unintentional mode changes



Substantial savings from the use of replaceable grease pouches and battery packs (Service Pack)



* Please refer to Service Pack (on page 15) for replacement information.

Specifications

Grease Pouch Capacity
125ml/250ml (replaceable)

Power Supply
DC 4.5V Battery Pack

Operating Pressure
Max. 15kg/cm² (200psi)

Dispensing Periods
1, 2, 3, 6, 12 month & H (15 days)

Operating Temperature
-15°C~60°C (5°F~140°F)

Remote Installation
Max. 3m (10ft) with Ø6mm tube
(Direct mount is preferable)

Multi-Point Installation
Single point only

IP Code
IP54

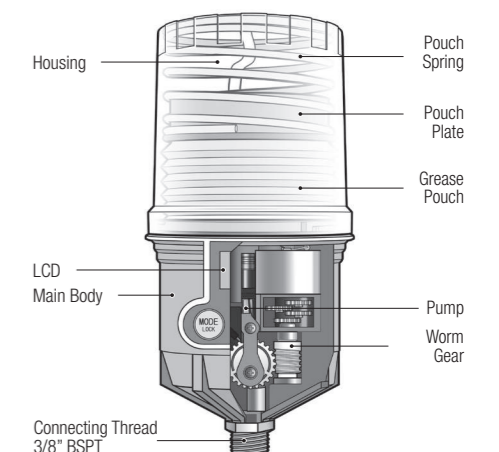
Certifications
ATEX, KCs, UL, CE

Applications



PETROCHEMICAL PLANTS NUCLEAR POWER PLANTS OIL & GAS THERMAL POWER PLANTS ELECTRIC MOTORS

Cross Section



Product Dimension
EX125 : Ø91mm (3.60") x 181mm (7.13") (H)
EX250 : Ø91mm (3.60") x 210mm (8.27") (H)

Machine Synchronized Pulsarlube MS/MSP

The Pulsarlube MS & MSP units offer the advantage of providing automatic lubrication to machinery that is infrequently or intermittently used by synchronizing itself to the equipment, thereby avoiding the problem of over lubrication.

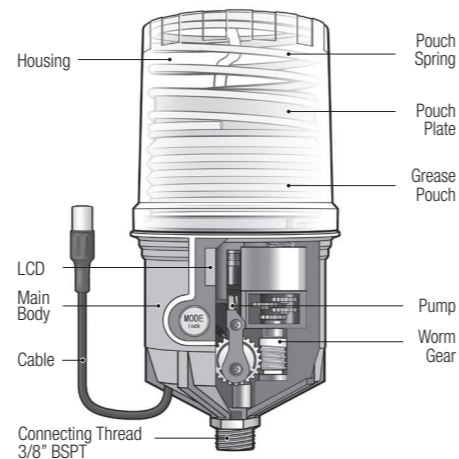


* Please refer to Service Pack (on page 15) for replacement information.

Specifications

- Grease Pouch Capacity**
60ml/125ml/250ml/500ml (replaceable)
- Power Supply**
MS: DC 4.5V Battery Pack
MSP: External Power Supply
- Operating Pressure**
Avg. 30kgf/cm² (425psi)
Max. 80kgf/cm² (1,130psi)
- Operating Temperature**
Standard Alkaline Battery:
-15°C~60°C (5°F~140°F)
Optional Lithium Battery:
-40°C~60°C (-40°F~140°F)
- Dispensing Periods**
60ml: 1, 2, 3, ...10, 11, 12 month
125ml/250ml: 1, 2, 3, 6, 12 month & H (15 days)
500ml: 1, 2, 4, 6, 12, 18, 24 month & H (15 days)
- Remote Installation**
Max. 10m (33ft) with Ø6mm tube
- Multi-Point Installation**
Max. 6m (20ft) with Ø6mm tube (Max. 8 lube points)

Cross Section



Product Dimension
MS60, MS125 (MSP60, MSP125) : Ø91mm (3.60") x 181mm (7.13") (H)
MS250 (MSP250) : Ø91mm (3.60") x 210mm (8.27") (H)
MS500 (MSP500) : Ø92mm (3.62") x 260mm (10.23") (H)

Applications



Features & Benefits

Synchronized	Dispenses a preset amount of lubricant only when equipment is in operation which prevents over lubrication
Max 80kgf/cm²	Up to 8 lube points for multi-point / Max. 10m (33ft) for single point
LCD	Easy to program with built-in LCD and simple button controls
Service Pack	Substantial savings from the use of replaceable grease pouches and battery packs (Service Pack)

MS/MSP Features

The MS and MSP units both synchronize to machinery but are engineered differently in order to meet customer's specifications for their equipment.

MS	Uses a battery pack as its power source. MS+Relay Box+Service Pack	
MSP	Uses external power as its power source. MSP+Relay Adapter(VAC or VDC)+Service Pack	* A battery pack is still included and used for backup power but does not need to be replaced for an extended period of time (up to 5 years). * OL500 is also available for MSP feature.

MSP Relay / MSP Power Supply Specification

	MS	MSP	
	Relay	VAC	VDC
Voltage Rate Input Range	AC100~480V, 0.5W/50~60Hz	AC Adaptor (100~220V)	DC-DC Converter (12~24V)
Voltage Rate Output Range	Signal (Open collector type)	5.0V, 2A	
Power ON Indicator	Red LED		
Relay Box Dimensions	85mm (D)×49mm (W)×32mm (H)		
Wire Length	Input 1m (3ft) / Output 4m (13ft)		

* For ordering instructions, please refer to the section "How to Order" on page 33 or to the product user manual.



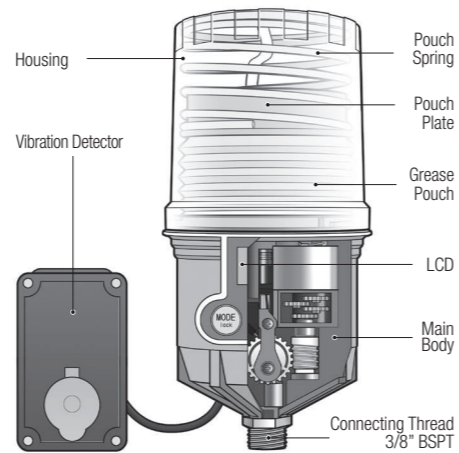
Synchronized Lubricator with an Intelligent Vibration Sensor **Pulsarlube Mi**

The Pulsarlube Mi operates only when vibration is detected on the installed application.

Specifications

Grease Pouch Capacity 60ml/125ml (replaceable)	Remote Installation Not Applicable
Power Supply DC 4.5V Battery Pack	Multi-Point Installation Not Applicable
Operating Pressure Max. 30kgf/cm ² (425psi)	Vibration Detector
Operating Temperature Standard Alkaline Battery : -15°C~60°C (5°F~140°F) Optional Lithium Battery : -40°C~60°C (-40°F~140°F)	<ul style="list-style-type: none"> • Piezoelectric Cantilever-type Film Sensor • Adjustable Sensitivity Range • Connection Wire Length : 1.2m
Dispensing Periods 1, 2, 3...10,11,12 month	

Cross Section



Product Dimension
Mi 60, Mi 125: Ø91mm (3.60") x 181mm (7.13") (H)

Applications



* Please refer to Service Pack (on page 15) for replacement information.
* Before installing, please refer to the user manual and technical information on the website.

Features & Benefits

Vibration Sensor	Vibration sensor allows the unit to lubricate only when the application is operating
No Wire	No need for external electric wiring to motors or other power cables
Service Pack	Substantial savings from the use of replaceable grease pouches and battery packs (Service Pack)
Simple & Precise	Simple to operate & dispenses precise amounts of lubricant reliably

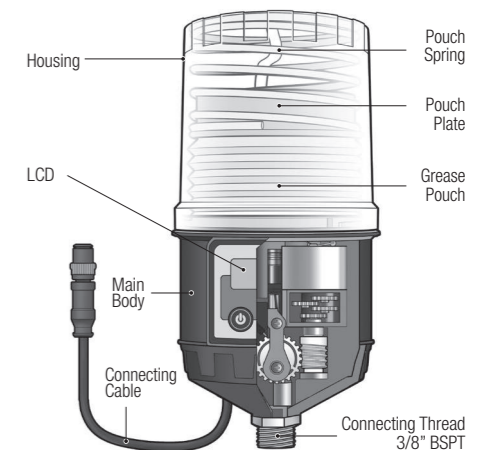
PLC Controlled & Remotely Monitored & High Performance **Pulsarlube PLC**

The Pulsarlube PLC is specially designed to be fully integrated with a PLC system and offered in two types; MONTH and INTERVAL type.

Specifications

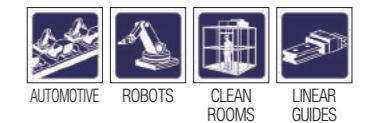
Grease Pouch Capacity 60ml/120ml/240ml/480ml (replaceable)	Remote Installation Max. 10m (33ft) with Ø6mm tube
Power Supply External Power Supply	Multi-Point Installation Max. 6m (20ft) with Ø6mm tube (Max. 8 lube points)
Operating Pressure 30~60kgf/cm ² (425~850psi)	1 Per Stroke(@20°C)
Operating Temperature -20°C~60°C (-4°F~140°F)	MONTH type : 0.34ml / Stroke INTERVAL type : 0.34ml x Mode selected
Dispensing Periods MONTH type : 1, 2, 3...10, 11, 12 month INTERVAL type : Mode 1,2,3...6	Certifications CE

Cross Section



Product Dimension
PLC 60, PLC 125: Ø91mm (3.60") x 181mm (7.13") (H)
PLC 240: Ø91mm (3.60") x 208mm (8.19") (H)
PLC 480: Ø92mm (3.62") x 260mm (10.23") (H)

Applications



* Please refer to Service Pack (on page 15) for replacement information.
* Before installing, please refer to the user manual and technical information on the website.

Features & Benefits

PLC Control	Programmed to deliver fresh lubricant upon receiving a signal from the PLC
Communication	In case of any warning messages, the unit sends out a signal to an external alarm
Convenient	Both NPN and PNP connections are available
2 Types	MON type dispenses at predetermined intervals and rates depending on the monthly setting selected. INT type dispenses on command when a signal is received from the PLC, at the rate selected by the user.

Compatible with a Wide Range of Oil Viscosity Pulsarlube OL500

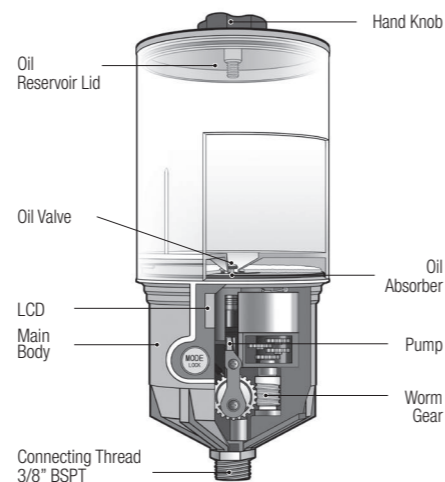
The Pulsarlube OL500 is our latest innovation in oil lubrication with an average operating pressure of 10kgf/cm². The OL500 is also easily refillable.



Specifications

Oil Volume Capacity 500ml (refillable)	Remote Installation Max. 6m (20ft) with Ø4mm tube
Power Supply DC 4.5V Battery Pack	Multi-Point Installation Max. 3m (10ft) with Ø4mm tube (up to 4 lube points)
Operating Pressure 10kgf/cm ² (depends on oil viscosity)	Oil Viscosity Range 10 ~ 10,000 cSt @ 40°C (Optimal 100~1000 cSt @ 40°C)
Operating Temperature Standard Alkaline Battery : -15°C~60°C (5°F~140°F)	
Dispensing Periods 1, 2, 4, 6, 12, 18, 24 month & H (15 days)	

Cross Section



Product Dimension
OL500 : Ø94 mm (3.70") x 229 mm (9.02") (H)

Applications



* Before installing, please refer to the user manual and technical information on the website.

Features & Benefits

10kgf/cm ²	High operating pressure with a wide range of acceptable oil viscosity
Accessory Kit	Up to 4 lube points for multi-point / Max. 6m (20ft) for single point
LCD	Easy to program with built-in LCD and simple button controls
Easy Refill	Refillable oil reservoir

Small & Economical Gas Type Oiler Pulsarlube EO

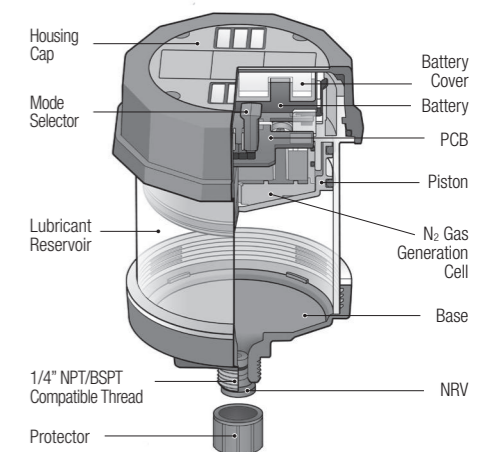
The Pulsarlube EO is a gas type oiler with an NRV (non return valve) which offers superior advantages in cost competitiveness, easy installation and user friendliness.



Specifications

Oil Volume Capacity 60ml/120ml/240ml (disposable)	Remote Installation Max. 3m (10ft) with Ø4mm tube
Operating Method Electrochemical reaction (Nitrogen gas)	Multi-Point Installation Not Applicable
Operating Pressure Max. 5kgf/cm ² (70psi)	Oil Viscosity Range 10 ~ 10,000 cSt @ 40°C (Optimal 100~1000 cSt @ 40°C)
Operating Temperature -20°C~55°C (-4°F~131°F)	
Dispensing Periods 1, 3, 6, 9, 12 month	

Cross Section



Product Dimension
EO60 : Ø77mm (3.03") x 91mm (3.58") (H)
EO120 : Ø77mm (3.03") x 111mm (4.37") (H)
EO240 : Ø77mm (3.03") x 156mm (6.14") (H)

Applications



* Before installing, please refer to the user manual and technical information on the website.

Features & Benefits

NRV	NRV (Non-return valve) minimizes oil leak due to gravity
Compact Design	Compact 60ml design is convenient for use in confined spaces
Durability	Specially designed to endure high vibration
Eco-Friendly	Eco-friendly product, where applicable parts can be disposed of separately

Unique and Ingenious Design

Pulsarlube S

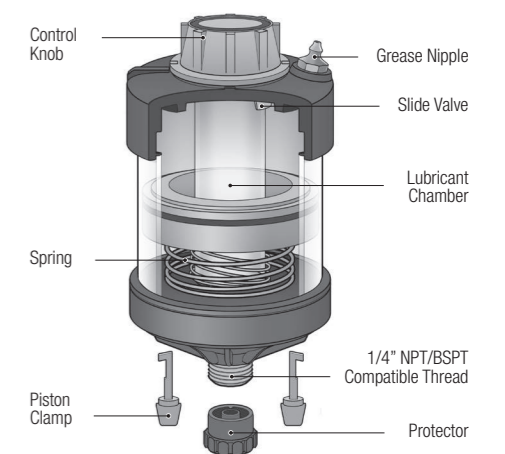
The Pulsarlube S is an advanced spring type lubricator operates with the spring at the bottom and an upward piston movement, which dramatically reduces the effects of oil separation that have plagued traditional spring type lubricators.

Specifications

Grease Capacity 100ml (refillable)	Dispensing Periods 5 Dial Settings
Operating Method Spring	Remote Installation Not Applicable
Operating Pressure Not Applicable	Multi-Point Installation Not Applicable
Operating Temperature -23°C~121°C (-9°F~250°F)	



Cross Section

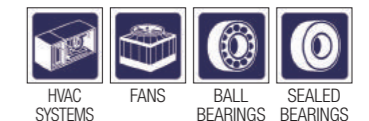


Product Dimension
S100 : 067mm (2.64") x 129mm (5.08") (H)

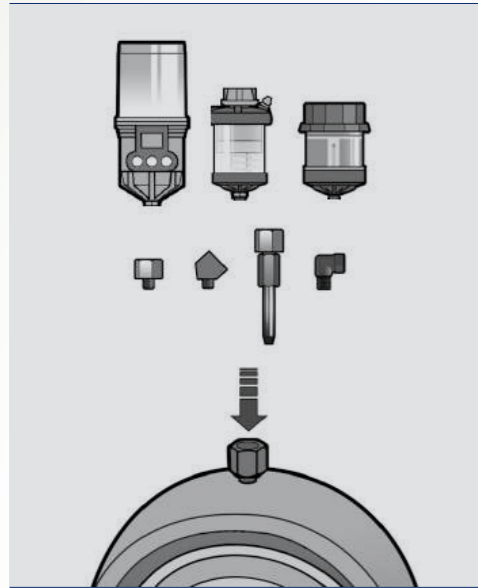
Features & Benefits

Design	The upward piston movement reduces oil separation and the possibility of grease hardening
Control Knob	Grease dispensing rate can be easily controlled by using the control knob
Reuse	Easy to refill grease on site using grease nipple
Pre-Filled	Available pre-filled due to strategically placed piston clamps

Applications



Single Point Installation

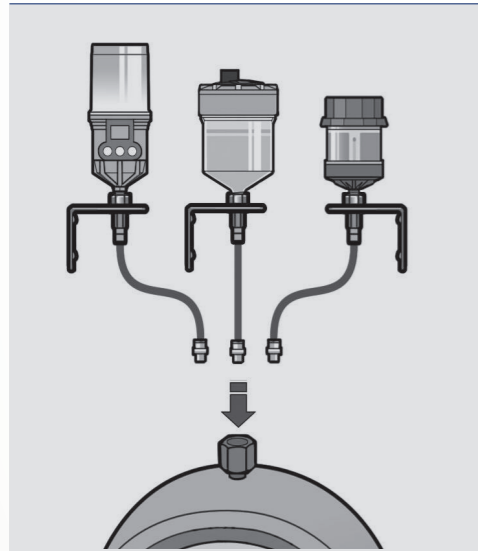


Installation Parts

Image	Code	Specifications
		Reducer
		Socket
		45° Elbow
		90° Elbow
		Pipe

For availability, please see Accessories list.

Remote Installation



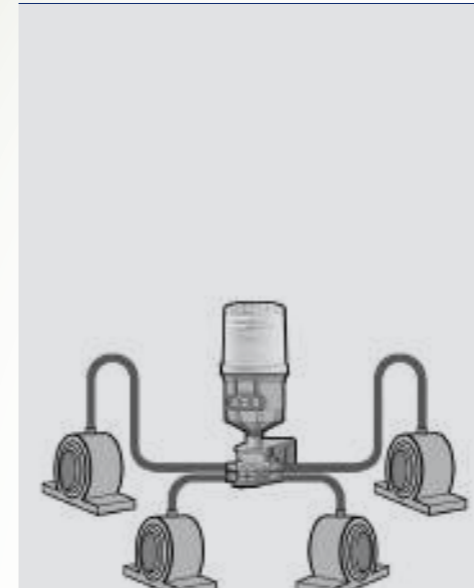
Kit no. 1250RC-1, 1000RC-1, 2000RC-1

Installation Parts for RC Kits

Image	Code	Specifications
	A002	Reducer, 3/8" F x 1/8" M Adaptor (Brass)
	A005	Reducer, 1/4" F x 1/8" M Adaptor (Brass)
	B002	Mounting Bracket, "L" Shape
	B057	Washer
	A012	Socket, 1/8" F x 1/8" F Adaptor (Brass)
	A240	Tube Fitting, Push-In Type, PC6-PT1/8" M
	B051	Self Drilling Screw, #8 x 20
	A214-1	Distribution Tubing, O.D. 1/4" (6mm) Nylon Tubing, 10ft Pre-filled with (Grease Type)
	A212-1	Distribution Tubing, O.D. 5/16" (8mm) Urethan Tubing, 3ft Pre-filled with (Grease Type)



Multi-Point Installation



Kit no. 1250MD-2 ~ 1250MD-8



Multi-Point Kits for Electromechanical Units

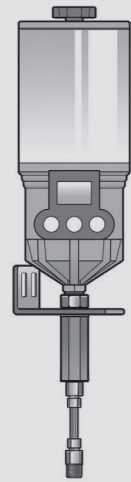
Image	Kit no.	Specifications
	1250MD-2	HU-2RS, Grease Type, 2 Ports
	1250MD-3	HU-3RS, Grease Type, 3 Ports
	1250MD-4	HU-4RS, Grease Type, 4 Ports
	1250MD-5	HU-5RS, Grease Type, 5 Ports
	1250MD-6	HU-6RS, Grease Type, 6 Ports
	1250MD-7	HU-7RS, Grease Type, 7 Ports
	1250MD-8	HU-8RS, Grease Type, 8 Ports

* Below installation parts are included in the 1250MD kits.

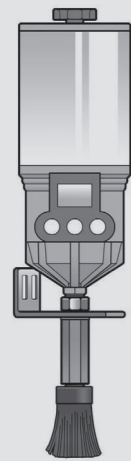
Installation Parts for MD Kits

Image	Code	Specifications
	A002	Reducer, 3/8" F x 1/8" M Adaptor (Brass)
	A214-1	Distribution Tubing, O.D. 1/4" (6mm) Nylon Tubing, 10ft Pre-filled with (Grease Type)
	A240	Tube Fitting, Push-In Type, PC6-PT1/8" M
	B002	Mounting Bracket, "L" Shape
	B051	Self Drilling Screw, #8 x 20
	B058	Tooth Washer

Single Point Installation for Oilers



Kit no. 1250RO-1



Direct Mount Installation with Brush Kit
Kit no. C030, C031, C032, C033



Installation Parts for 1250RO-1 Kit

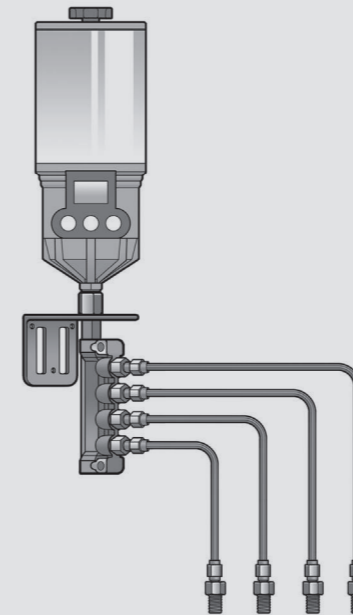
Image	Code	Specifications
	A002	Reducer, 3/8"F x 1/8"M Adaptor (Brass)
	A012	Socket, 1/8"F x 1/8"F Adaptor (Brass)
	C007	Tube Fitting, Dia. 4mm x PT1/8"M
	B002	Mounting Bracket, "L" Shape
	B057	Washer
	B051	Self Drilling Screw, #8 x 20
	C021	O.D. 4mm Nylon Tubing (Clear), 100meter/Roll
	C009	Sleeve Ring, Dia. 4mm
	C010	Tube Clamp, Dia. 4mm x 1R
	C011	Insert, Dia. 4mm x 2.5mm

Oil Brush Kits

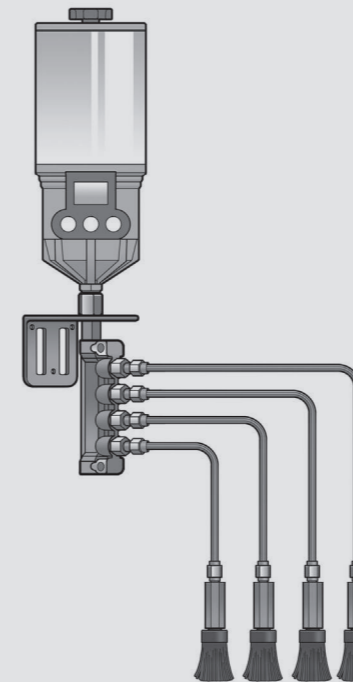
Image	Code	Specifications
	C001	Oil Brush, 2" Flat Nylon, NPT1/8"M
	C002	Oil Brush, 1" Round Nylon, NPT1/8"M
	C013	Oil Brush, 2" Flat Stainless Steel, NPT1/8"M
	C014	Oil Brush, 1" Round Stainless Steel, NPT1/8"M
	C012	Socket, PT1/8"F x NPT1/8"F
	B003	Oil Brush Bracket, "L" Shape
	B051	Self Drilling Screw, #8 x 20
	B057	Washer
	C010	Tube Clamp, Dia. 4mm x 1R

* Oil brush not included in the 1250RO kits.

Multi-Point Installation for Oilers



Kit no. 1250RO-2 ~ 1250RO-4



Multi-Point Installation with Brush Kit
Kit no. C030, C031, C032, C033

Installation Parts for RO Kits

Image	Code	Specifications
	A002	Reducer, 3/8"F x 1/8"M Adaptor (Brass)
	C006	Reducer, PT 1/8"F x M8 X 1P
	A012	Socket, 1/8"F x 1/8"F Adaptor (Brass)
	C007	Tube Fitting, Dia. 4mm x PT1/8"M
	B002	Mounting Bracket, "L" Shape
	B051	Self Drilling Screw, #8 x 20
	B057	Washer
	C004	Resistance Valve, #1 Distributor Spray
	C005	Plug, M8 x 1P
	C009	Sleeve Ring, Dia. 4mm
	C010	Tube Clamp, Dia. 4mm x 1R
	C011	Insert, Dia. 4mm x 2.5mm
	C021	O.D. 4mm Nylon Tubing (Clear), 100meter/Roll
	C003	Distributor, 6(4P) M8 x 1P

* A complete list of accessories can be found on our website in Accessories section.

Pulsarlube Grease Selection Chart

Grease Code	Region	Application	Base Oil	Temperature	NLGI	Thickener	Color
PL1	●	Multi Purpose	Mineral	-20°C~150°C	1.5	Lithium Complex	Yellow
PL2	● ● ●	Heavy Duty	Mineral	-15°C~170°C	2	Aluminum Complex	Black
				-20°C~160°C		Lithium Complex	Grey
PL3	●	High Speed	Mineral	-30°C~130°C	2	Lithium Complex	Yellowish Brown
PL4	● ● ●	H1 Food Grade	Mineral	-40°C~120°C	2	Aluminum Complex	White
				-25°C~170°C			
PL5	● ● ●	High Temperature	Mineral	-15°C~160°C	1	Polyurea	Beige
			Fully Synthetic	-40°C~180°C	2	Lithium Complex	Red
PL6	●	Multi Purpose with MoS ₂	Fully Synthetic	-40°C~170°C	2	Lithium Complex	Grey
PL7	●	Low Temperature	Fully Synthetic	-40°C~170°C	1	Lithium Complex	Gold
PL10	●	Motor Bearing	Mineral+Synthetic	-25°C~150°C	2	Polyurea	Beige

● Pulsarlube USA (North and South America) ● Pulsarlube GmbH (Europe) ● Pulsarlube Asia Pacific (Asia, Oceania, Africa) ● Worldwide

Pulsarlube Thickener Compatibility Chart

	Aluminum Complex	Barium Complex	Calcium Stearate	Calcium 12Hydroxy	Calcium Complex	Calcium Sulfonate	Clay Non-soap	Lithium Stearate	Lithium 12 Hydroxy	Lithium Complex	Polyurea Conventional	Polyurea Shear Stable
Aluminum Complex		x	x	●	x	▲	x	x	x	●	x	●
Barium Complex	x		x	●	x	●	x	x	x	x	x	▲
Calcium Stearate	x	x		●	x	●	●	●	▲	●	x	●
Calcium 12 Hydroxy	●	●	●		▲	▲	●	●	●	●	x	●
Calcium Complex	x	x	x	▲		x	x	x	x	●	●	●
Calcium Sulfonate	▲	●	●	▲	x		x	▲	▲	●	x	●
Clay Non-soap	x	x	●	●	x	x		x	x	x	x	▲
Lithium Stearate	x	x	●	●	x	▲	x		●	●	x	●
Lithium 12 Hydroxy	x	x	▲	●	x	▲	x	●		●	x	●
Lithium Complex	●	x	●	●	●	●	x	●	●		x	●
Polyurea Conventional	x	x	x	x	●	x	x	x	x	x		●
Polyurea Shear Stable	●	▲	●	●	●	●	▲	●	●	●	●	

▲ Test required ● Compatible X Incompatible

Pulsarlube Installation Chart

● Recommended △ To be decided after inspection

Installation Types	Installation Conditions & Checkpoints	Lubricator Type											
		Spring		Electrochemical			Electromechanical		Advanced Features			Oiler	
		S	F	E	V	M	EX	MS/MSP	Mi	PLC	OL500	EO	
Before Installation	Select a proper location convenient for operation / replacement	●	●	●	●	●	●	●	●	●	●	●	●
	Check the thread size (1/4", 3/8") of the grease inlet	●	●	●	●	●	●	●	●	●	●	●	●
Direct Installation	Heavy dust or particle contamination	●	●	●	●	●	●	●	●	●	●	●	●
	Low backpressure	●	●	●	●	●	●	●	●	●	●	●	●
	High vibration (A dampener should be applied for high vibration conditions)	●		●		●	●	●	●	●	●	●	●
	Moisture and water (Check the IP rating on each model)	●	●	●	△	△	△	●	●	●	△	●	●
	High backpressure					●	△			△	△	●	
Remote Installation	Confined areas			●								●	
	High temperature areas (Maximum ambient temperatures of 55°C or under)			△		●	●	●	●	●	●	●	△
	High vibration			●		●	●	●	●	●	●	●	●
Multi-Point Installation	Confined areas					●	●	●	●	●	●	●	
	Long distance from lube point (over 1m)					●	△	●	●	●	●	●	
	Short distance from lube point					●		●	●	●	●	●	
Machine Synchronized Application	Multiple lube points gathered in limited spaces					●		●	●	●	●	●	
	Lubrication must be applied whenever machine operates									●	●	●	
	Machine operates with extended downtimes									●	●	●	
	HVAC & other machines that may be controlled by temperature changes									●	●	●	
Check Points	Machine is a fire risk hazard due to overheating/over-lubrication									●	●	●	
	<ul style="list-style-type: none"> Please check compatibility between the grease previously used and the grease contained in the Pulsarlube lubricator. The tubing and/or fittings should be filled with the same or a compatible grease as is contained in the lubricator. Please check that fitting connections are tight and that the bearing passageway is clear before installation. Units installed with 45° & 90° elbow adapters in confined areas should be handled and replaced with care. Do not install units in areas where they may fall and cause injuries. Take into consideration tube length, tube ID, and backpressure on the lube point for remote installation. For the optimal results in multi-point installation, please consider the following: <ul style="list-style-type: none"> ① Backpressure from tube ② Backpressure from divider block ③ Backpressure from bearing ④ Operating pressure (①+②+③) ⑤ NLGI#1 grease is recommended ⑥ Maximum 8 points ⑦ Regular check-ups required for dispensing conditions if using a divider block or oil distributor Regular check-ups are highly recommended if using a divider block or oil distributor. 												

Pulsarlube Dispensing Recommendations

Recommendations

Below are some general guidelines for bearing lubrication requirements. Testing is recommended for specific applications. Please contact your local distributor should you need any assistance in setting proper dispensing rates.

Dispensing Cycle Chart

Mode / Month	60ml		125ml		250ml		500ml	
	Hours	Cycles / Day	Hours	Cycles / Day	Hours	Cycles / Day	Hours	Cycles / Day
1/2	N/A	–	1 hours	24	30 minutes	48	15 minutes	96
1	4 hours	6	2 hours	12	1 hours	24	30 minutes	48
2	8 hours	3	4 hours	6	2 hours	12	1 hours	–
3	12 hours	2	6 hours	4	3 hours	8	N/A	12
4	16 hours	1.5	N/A	–	N/A	–	2 hours	–
5	20 hours	1.2	N/A	–	N/A	–	N/A	8
6	24 hours	1	12 hours	2	6 hours	4	3 hours	–
7	28 hours	0.86	N/A	–	N/A	–	N/A	–
8	32 hours	0.75	N/A	–	N/A	–	N/A	–
9	36 hours	0.66	N/A	–	N/A	–	N/A	–
10	40 hours	0.6	N/A	–	N/A	–	N/A	–
11	44 hours	0.54	N/A	–	N/A	–	N/A	–
12	48 hours	0.5	24 hours	1	12 hours	2	6 hours	4
18	N/A	–	N/A	–	N/A	–	9 hours	2.66
24	N/A	–	N/A	–	N/A	–	12 hours	2

Dispensing Mode Selection Chart

Bearing Dimensions	60ml	Dispensing Rate (ml/day)	125ml	Dispensing Rate (ml/day)	250ml	Dispensing Rate (ml/day)	500ml	Dispensing Rate (ml/day)
231mm ~ 330mm	–	–	–	–	–	–	0.5 Month	33.34
171mm ~ 230mm	–	–	–	–	0.5 Month	16.67	1 Month	16.67
101mm ~ 170mm	–	–	0.5 Month	8.33	1 Month	8.33	2 Month	8.33
91mm ~ 100mm	–	–	1 Month	4.17	2 Month	4.17	4 Month	4.17
76mm ~ 90mm	1 ~ 2 Month	1.00 ~ 2.00	2 Month	2.78	3 Month	2.78	6 Month	2.78
66mm ~ 75mm	3 ~ 5 Month	0.40 ~ 0.67	3 Month	1.39	6 Month	1.39	18 Month	0.90
51mm ~ 65mm	6 ~ 8 Month	0.25 ~ 0.33	6 Month	0.70	12 Month	0.70	24 Month	0.70
36mm ~ 50mm	9 ~ 10 Month	0.20 ~ 0.22	12 Month	0.35	–	–	–	–
35mm below	11 ~ 12 Month	0.16 ~ 0.18	–	–	–	–	–	–

How To Order

Instructions

Please follow the steps below when ordering Pulsarlube products. Please contact regional sales office for customized grease filling and product availability. Certain items might not be available in some regions.

EX) M125 / PL2

Product Grease Capacity Grease Type



Step 1 Choose your Pulsarlube product.

Spring	Electrochemical	Electromechanical	Advanced Features	Oiler
S	V, E	M, EX	MS, MSP, Mi, PLC	OL500, EO



Step 2 Choose the desired grease capacity.

Product	Capacity
S	100ml
V	125/250ml
E	60/120/240ml
M	60/125/250/500ml
EX	125/250ml
MS, MSP	60/125/250/500ml
Mi	60/125ml
PLC	60/120/240/480ml
OL500	500ml
EO	60/120/240ml



Step 3 Select the grease type.

PL1	PL2	PL3	PL4	PL5	PL6	PL7	PL10
Multi Purpose	Heavy Duty	High Speed	H1 Food Grade	High Temperature	Multi Purpose with MoS ₂	Low Temperature	Motor Bearing

Additional Features

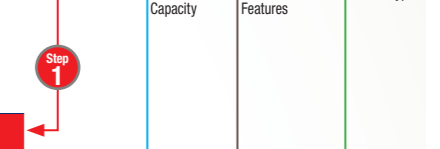
MSP Power Supply	
VAC (AC-DC Adapter)	VDC (DC-DC Converter)

PLC	
1) Your PLC type : NPN / PNP	2) Pulsarlube PLC's signal type : MON / INT

*When ordering PLC product, please carefully choose from 1) your PLC type + 2) pulsarlube Signal type in order.

EX) MSP 125-VDC / PL2 PLC 120 N-INT / PL1

Product Grease Capacity Additional Features Grease Type



Spring	Electrochemical	Electromechanical	Advanced Features	Oiler
S	V, E	M, EX	MS, MSP, Mi, PLC	OL500, EO



Product	Capacity
S	100ml
V	125/250ml
E	60/120/240ml
M	60/125/250/500ml
EX	125/250ml
MS, MSP	60/125/250/500ml
Mi	60/125ml
PLC	60/120/240/480ml
OL500	500ml
EO	60/120/240ml



PL1	PL2	PL3	PL4	PL5	PL6	PL7	PL10
Multi Purpose	Heavy Duty	High Speed	H1 Food Grade	High Temperature	Multi Purpose with MoS ₂	Low Temperature	Motor Bearing

Additional Features

MSP Power Supply	
VAC (AC-DC Adapter)	VDC (DC-DC Converter)

PLC	
1) Your PLC type : NPN / PNP	2) Pulsarlube PLC's signal type : MON / INT



Pulsarlube USA, Inc.

1480 Howard Street, Elk Grove Village, IL 60007, USA
Tel: +1(847) 593-5300 / Fax: +1(847) 593-5303
www.pulsarlube.com / sales@pulsarlube.com

Pulsarlube GmbH

Silostrasses 31b, 65929 Frankfurt am Main, Germany
Tel: +49(0) 69-3399-7501 / Fax: +49(0) 69-3399-7503
www.pulsarlube.de / info@pulsarlube.de

Pulsarlube Asia Pacific

Daerung Posttower 6th #814, 298, Beotkkot-ro, Geumcheon-gu, Seoul, Korea
Tel: +82(2) 2135-3788 / Fax: +82(2) 2083-8485
www.pulsarlube.co.kr / sales.asia@pulsarlube.com